

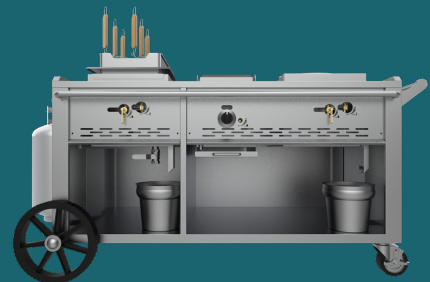


Pantin®

**Go
Mobile.**

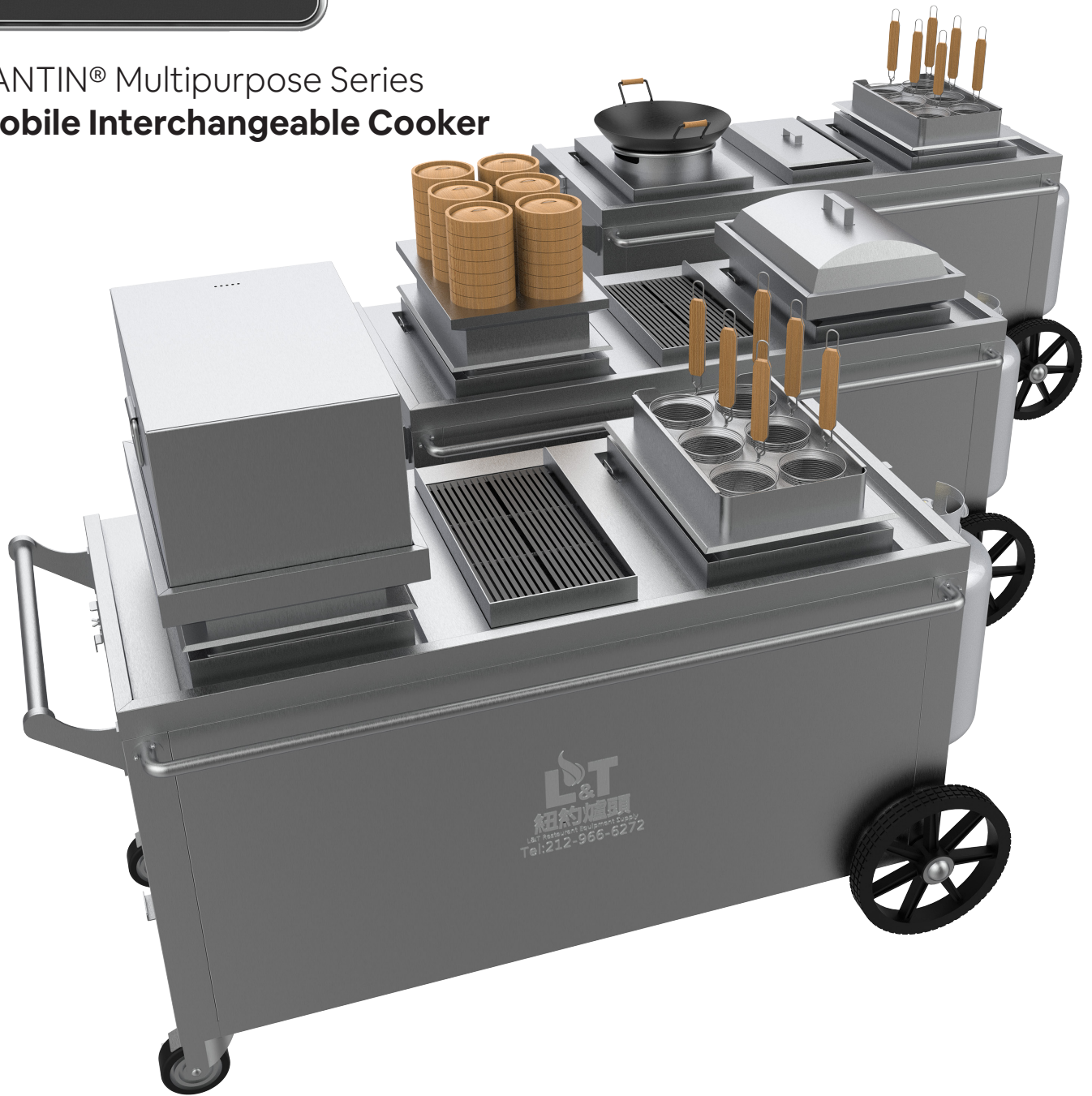
PANTIN® Multipurpose Series
Mobile Interchangeable Cooker

GAS APPLIANCES





PANTIN® Multipurpose Series
Mobile Interchangeable Cooker



Heavy Duty Construction

Heavy gauge stainless steel frame construction for the entire unit, which is designed for extra strength and durability.

Safety pilot system

For peace of mind, the standard safety pilot system cuts gas to the burners if the pilot burner goes out.

Interchangeable Configuration

Increase your productivity of having able to interchange the main body with different accessories to fulfill different cooking needs.



Individual Control

The 2 independent dial controls allow you to effectively cook different foods at the same time, use only one burner, or cook on one while warming on the other

Waste Tray

Conveniently removable, this full-width waste tray collects grease and food debris throughout the day making cleanup a breeze.



All In One

Everything you need is within arm's reach with this versatile mobile cooking station



Propane tank storage

Store the 20 lb propane tank in a dedicated hidden and enclosed compartment.

Pantin® Multipurpose Series Mobile Interchangeable Cooker

Technical Specification

MODEL	NUMBER OF STATION	DIMENTION (IN)			WATER INLET	GAS INLET	DUCK JET BURNNER	U TUBE BURNNER
		W	D	H				
QX-X400-12	1	30	34	35 1/8	1/2	1 1/2	125.000	125.000
QX-X400-12-(1)	2	48	48	35 1/8	1/2	1 1/2	125.000	125.000
QX-X400II-12-(1)	3	72	48	35 1/8	1/2	1 1/2	125.000	125.000



ETL US

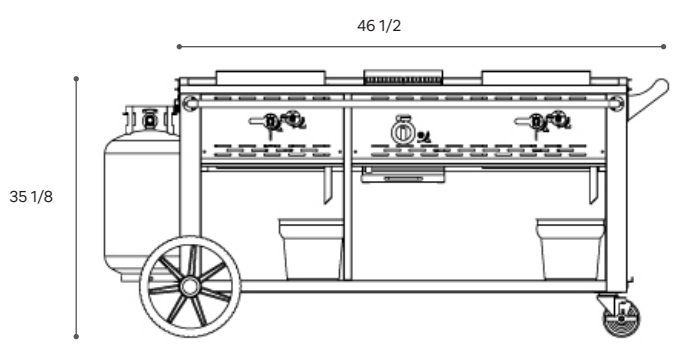
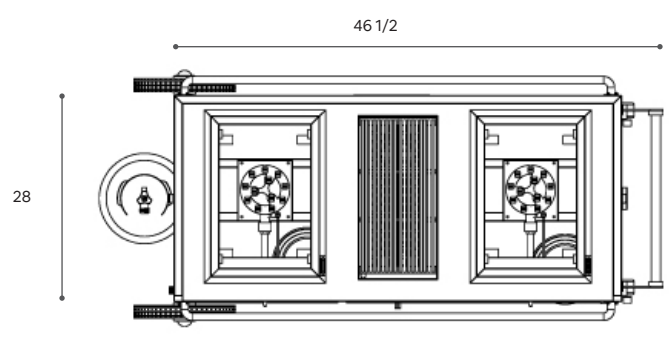
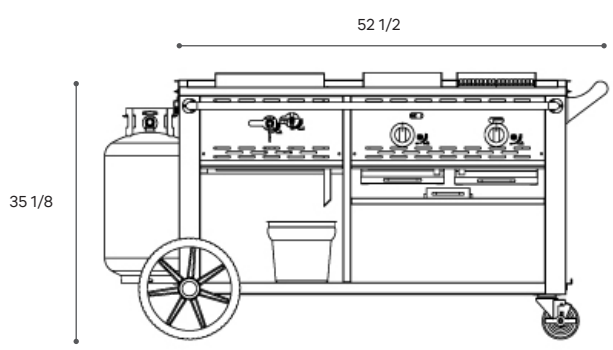
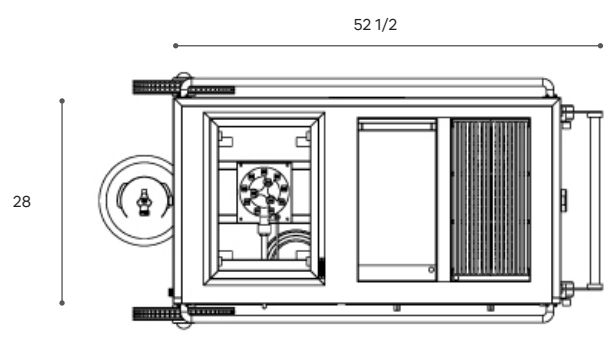
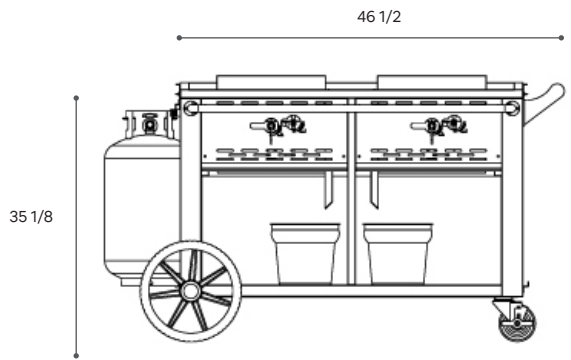
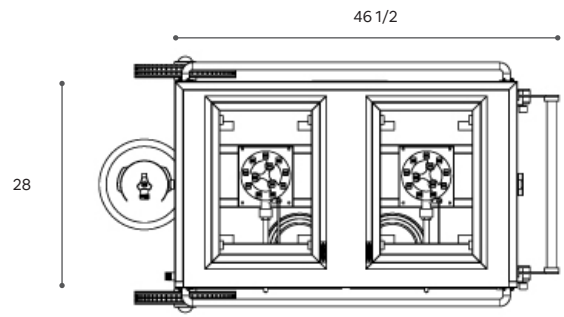
This item meets the electrical product safety standards imposed by the ETL, a division of the Intertek Group, for use in the United States.



ETL Sanitation

This item meets the sanitation standards imposed by the ETL, a division of the Intertek Group.

Product Dimension



| www.ltusa.net
 | www.tpgroupusa.com
 | marketing@tpgroupusa.com
 | marketing@ltusa.com

62 Allen St
 New York, NY 10002
 T | +1 212-619-2178
 F | +1 212-966-9184

134-38 33rd Ave
 Flushing, NY 11354
 T | +1 718.886.9778
 F | +1 646.357.3694